



Profession

Honesty

Innovation



Adjustable Plastic Pedestal



Adjustable Plastic Pedestal
Hangzhou Moonbay Industrial Co., Ltd

Ph/whatsapp: +86 13732946550

Web: www.chinamoonbay.com

Email: frank@chinamoonbay.com

Add: Hangzhou, ZheJiang, China

Adjustable Plastic Pedestal
Hangzhou Moonbay Industrial Co.,Ltd

Shim



1 mm



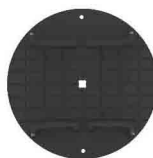
Detachable



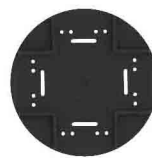
2 mm

Joist Cradle

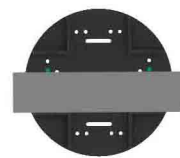
Fit any joist width 20-80mm



B type



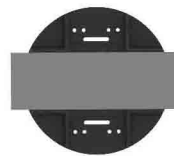
A type



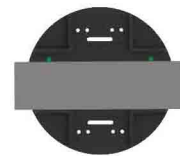
40 mm



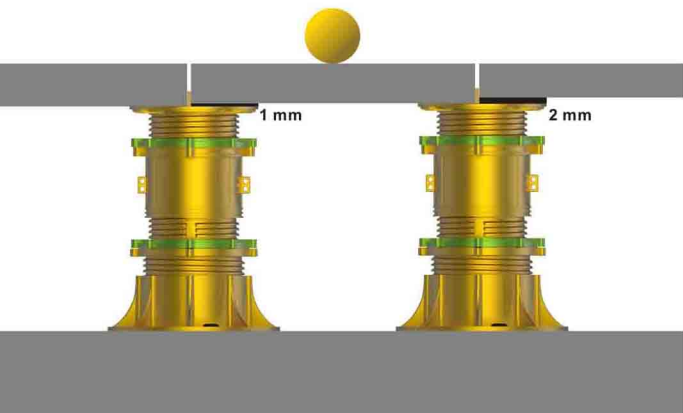
80 mm



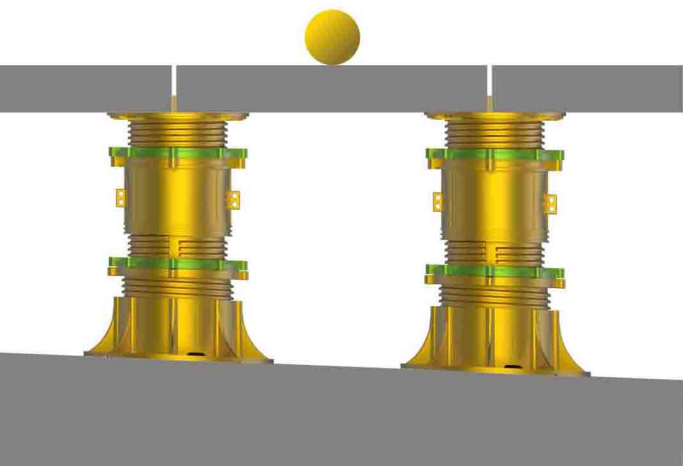
60 mm



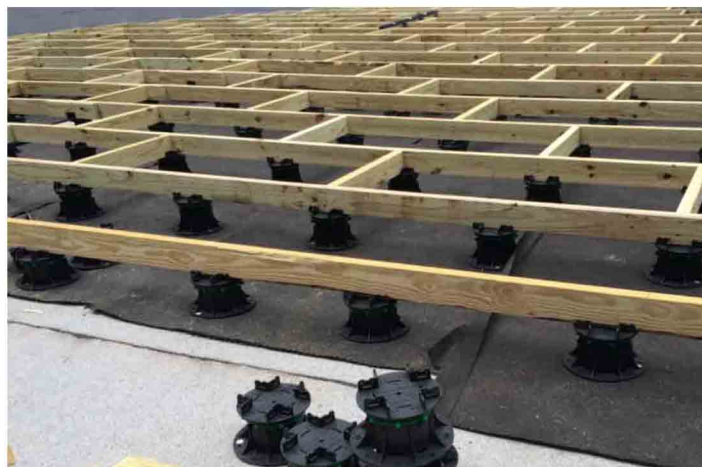
50 mm



compensate tile thickness difference
(1mm/2mm rubber shim)

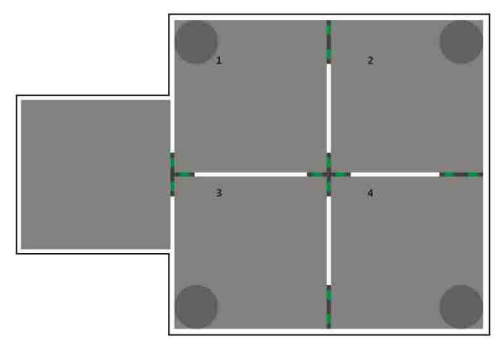
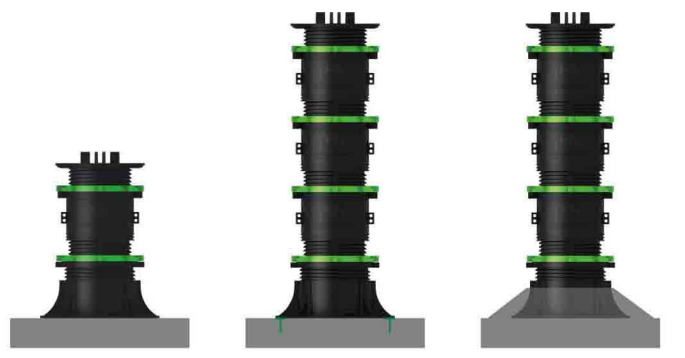
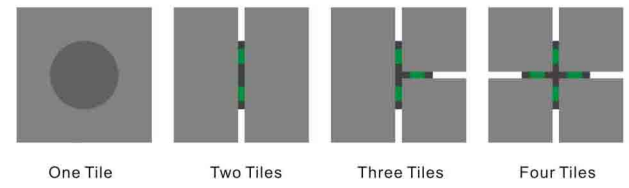
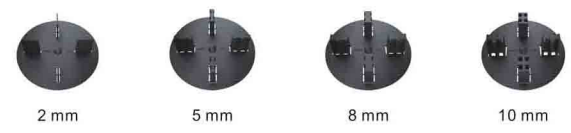
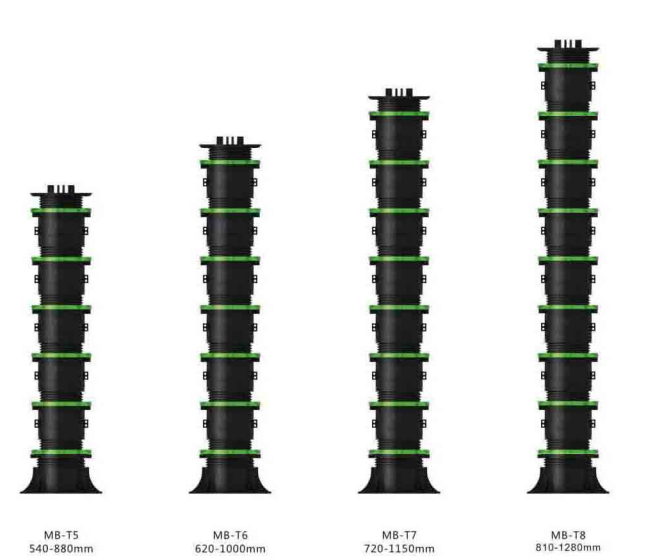


compensate slope 0-5%
(base slope corrector)



Code	MB-FP-01	MB-T0-A	MB-T0-B	MB-T0-C	MB-T0-D	MB-T0-E
Height Range (mm)	12.5	19 - 30	28 - 42	40 - 65	60 - 105	90 - 180

MB-T1	MB-T2	MB-T3	MB-T4	MB-T5	MB-T6	MB-T7	MB-T8
180 - 320	260 - 440	350 - 580	450 - 730	540 - 880	620 - 1000	720 - 1150	810 - 1280





Fountain



Decking



Water Feature



Paving Tiles

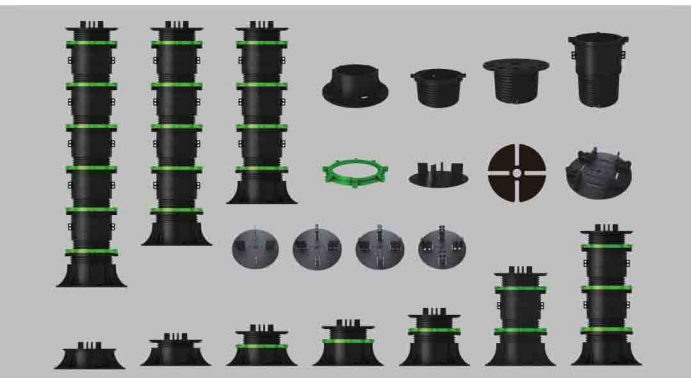


Grating Panel



Roof Floor

Hangzhou Moonbay Industrial Co., Ltd.
 Professional Adjustable Plastic Pedestal Manufacturer
 Excellent and experienced teams of
 develop, design, manufacture, sales and service
 Pursue the management tenet of "offering the top quality
 product to bring the most value for our clients "
 Hot selling in Europe, Australia, America, Asia etc
 SO9001: 2008 Certificate
 ISO14001: 2004 Certificate
 OHSAS18001: 2007 Certificate



Advantage

- Easy to install & light weight
- High compressive strength
- Progressive height increment
- Top slope correction.
- Locking rings ensure rigid assembly.
- Large, soft contoured bases mitigate possible membrane damage.
- Anti-UV, and Eco-friendly
- Easily removed and re-used.

Moonbay adjustable plastic pedestal is made of PP, anti-UV, talc etc.
 Support for outdoor terrace with any kind of material: timber decking,
 wpc decking, stone, ceramic, composite material, metal, fiberglass, grit,
 etc. Can be placed on any stable substrate, also over insulation panels.